

ganymed 1002

Audio IP Decoder/Converter –
easy, professional, efficient

MAYALI
COMMUNICATIONS

- Supports all major IP protocols
- Professional analogue or digital audio outputs
- Professional ip-audio algorithm decoding, incl. AAC & linear
- Remote management/control via SNMP/Telnet
- Extremely compact, solid chassis



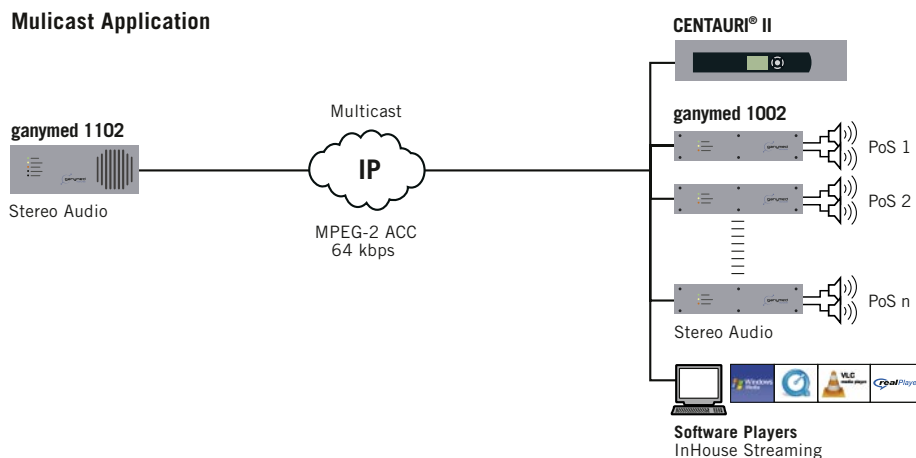
ganymed 1002 Pro & 1002 A Audio IP Decoder/Converter

The **Ganymed 1002** is a compact and robust IP-to-Audio Converter/Decoder for both permanent and temporary installations. It is fully interoperable with MAYAH Centauri II, MERK II and Ganymed 1102 audio codecs or with any other standards based IP-audio encoder.

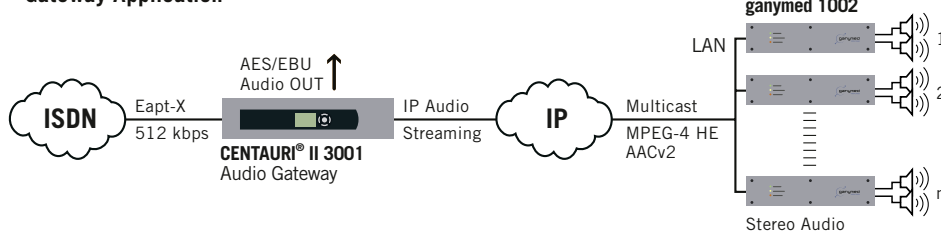
Built on the reliable foundations of MAYAH Communications' Audio Codecs, Ganymed 1002 is one of the most efficient solutions for the professional distribution of audio over IP-based networks for in-house streaming, corporate networks or broadcasting.

Ganymed 1002 is particularly suitable for mounting within other devices or installations, e.g. Points-of-Sale and Points-of-Interest; for distribution of announcements, advertising or any other content. It can also be used at the transmitter location to receive digital audio signals and provide them in analog or digital form to the modulator for conventional AM/FM or digital broadcasting, as shown in the following examples.

Multicast Application



Gateway Application



ganymed 1002A

Technical Data

Algorithms

MPEG 1/2 Layer 2 and 3

MPEG 2 AAC

Linear Audio

IP Protocols

TCP, UDP, RTP

SNMP for management

Audio I/O

Stereo Line Out XLR

Digital I/O, SPDIF, D-Sub

Network / Data Interfaces

10/100 Mbit/s Ethernet

RS232 for Control or ancillary Data, 4 TTL I/O

■ Standard ■ Optional

1002 Pro

1002 A

MPEG 1/2 Layer 2 and 3	■	■
MPEG 2 AAC	■	■
Linear Audio	■	■
TCP, UDP, RTP	■	■
SNMP for management	■	■
Stereo Line Out XLR	■	■
Digital I/O, SPDIF, D-Sub	■	
10/100 Mbit/s Ethernet	■	■
RS232 for Control or ancillary Data, 4 TTL I/O	■	

Layer 2 licensed from Audio MPEG, Coding Technologies
Layer 3/mp3Pro licensed from Thomson/Fraunhofer Institute
AAC / AAC HE licensed from VIA, Coding Technologies

© Copyright MAYAH Communications GmbH, 2006. All rights reserved.
CENTAURI® and MAYAH are registered trademarks. Patents pending. Eapt-X is a trademark of APT. mp3PRO is a trademark of Thomson. Product information and technical specifications are subject to change without notice.

MAYAH Communications
Am Soeldnermoos 17
85399 Hallbergmoos, Germany
Tel.: +49 8115517-0, Fax: -55
E-Mail: info@mayah.com



www.mayah.com